

▶ Photoelectric Sensors

Glass Fiber Optics

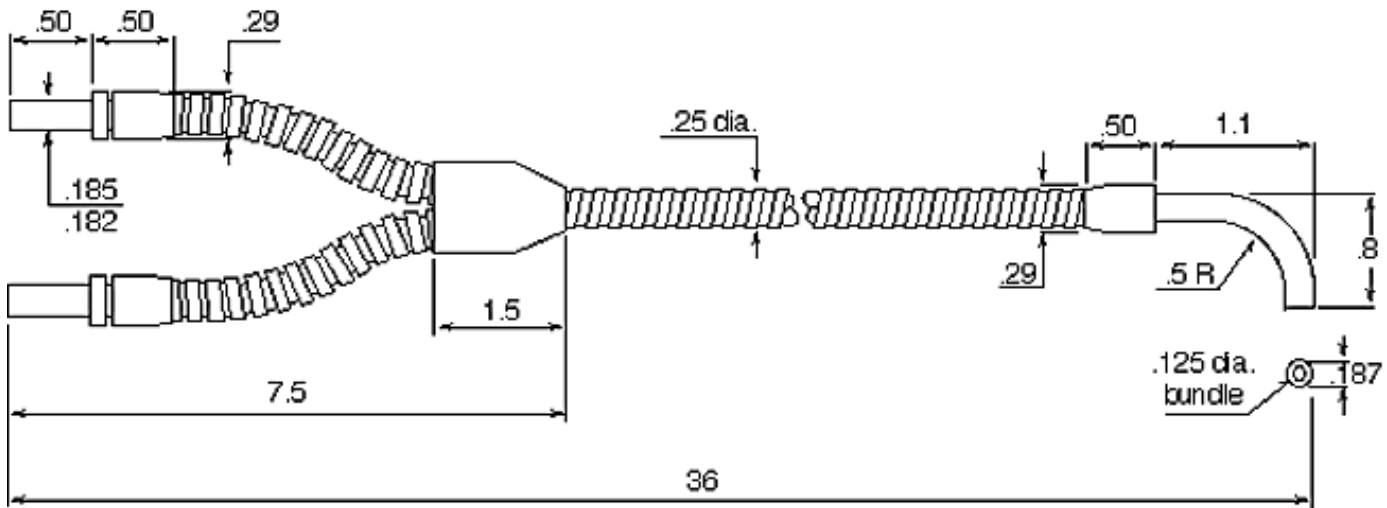
BA23S

Model: BA23S

Type: bifurcated, 90°

Bundle Size: 3.2mm / .125in

Detail Drawing: [ba23smdii.pdf](#)



[[Print version of this page](#)]

[Back](#)

© 2005 Banner Engineering Corp.

9714 Tenth Avenue North • Minneapolis, Minnesota 55441 • (763) 544-3164 • Toll Free 1-800-809-7043